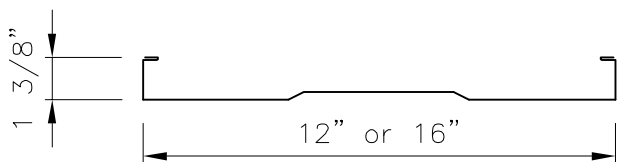


138T Symmetrical Panel

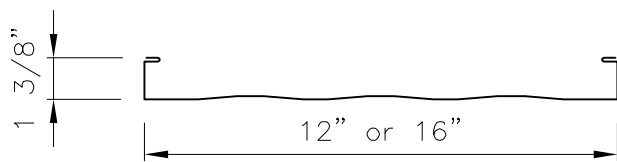
Product Data



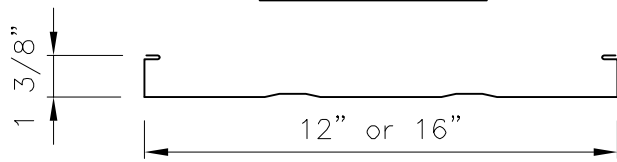
PLANK & PENCIL PROFILE (Standard)



PLANK PROFILE



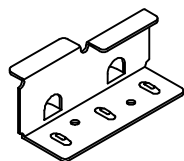
STRIATED PROFILE



MINOR RIBS PROFILE

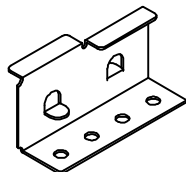


FLAT PROFILE



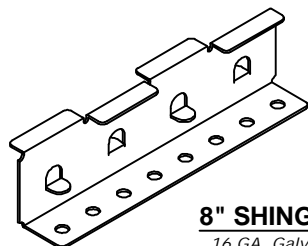
STANDARD CLIP

16 GA. Galvanized - ASTM A792 (50 ksi)
16 GA. Stainless 304SS - ASTM A240 (50 ksi)



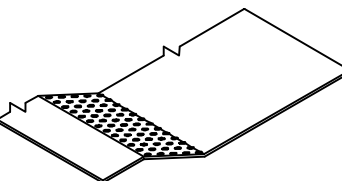
4" ASV CLIP

16 GA. Galvanized - ASTM A792 (50 ksi)
16 GA. Stainless 304SS - ASTM A240 (50 ksi)



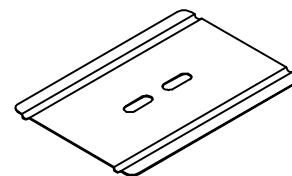
8" SHINGLE RECOVER CLIP

16 GA. Galvanized - ASTM A792 (50 ksi)
16 GA. Stainless 304SS - ASTM A240 (50 ksi)



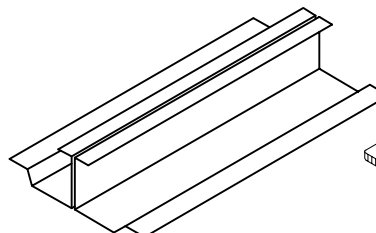
VENTED EAVE/RIDGE TRIM for 138T

0.063 Aluminum - ASTM B209 3003



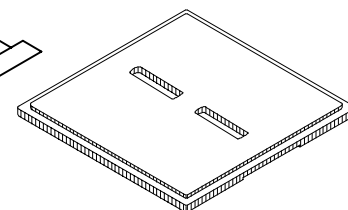
BEARING PLATE

24 GA. - ASTM A792 (50 ksi)



MULTI-SPAN CLIP

2-Piece
Standard: 24 GA. - ASTM A792 (50 ksi)
Optional: 22 GA. - ASTM A792 (50 ksi)
Typically sold in 10' lengths

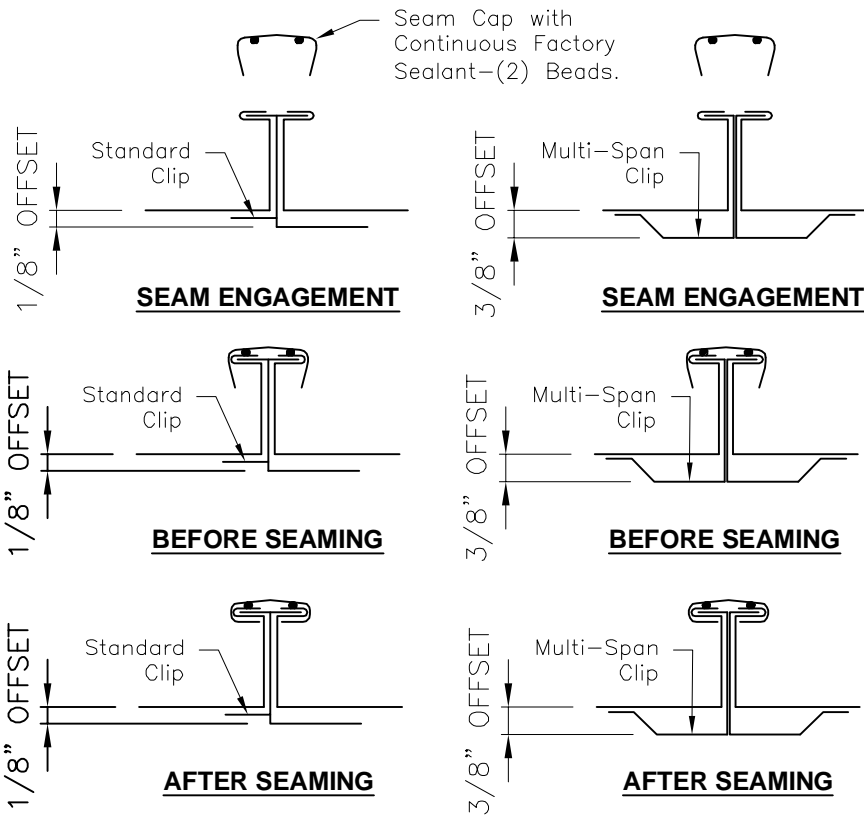


STACKABLE LEVELING SHIM

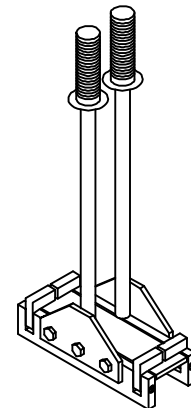
6" x 6" x 1/4" Thick

138T Symmetrical Panel (Continued)

Product Data



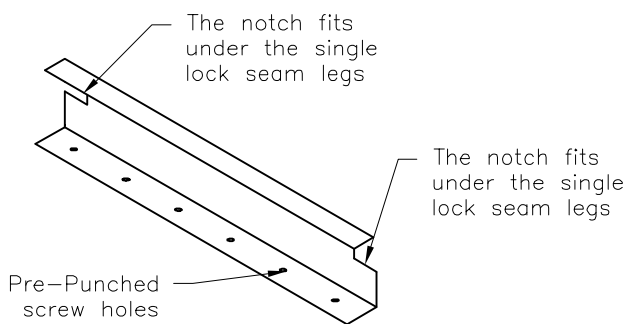
MECHANICAL SEAMER



HAND SEAMER

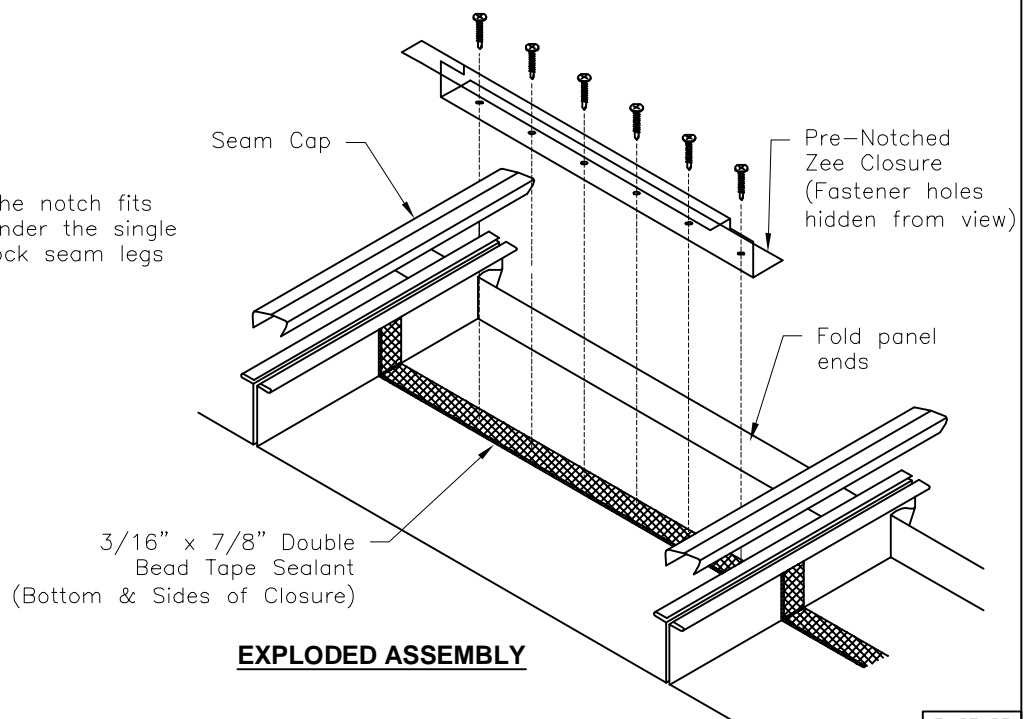
NOTE:

All data represented on this sheet may not be applicable to all widths and gauges. Please contact McElroy Metal for more information.



CLOSURE

Optimum Widths 16"
Additional lengths for hips available.
24 GA. - ASTM A792 (50 ksi)



EXPLODED ASSEMBLY